

DeeSel.1 Industrial Ethernet Extender Local and Remote Units, G.SHDSL 2-Wire 5.7 Mbps

Extend industrial Ethernet connections cost-effectively up to 4.3 miles over existing twisted pair cable.



**Customer
Support
Information**

Order toll-free in the U.S.: Call 877-877-BBOX (outside U.S. call 724-746-5500)
FREE technical support 24 hours a day, 7 days a week: Call 724-746-5500 or fax
724-746-0746 • Mailing address: Black Box Corporation, 1000 Park Drive, Lawrence,
PA 15055-1018 • Web site: www.blackbox.com • E-mail: info@blackbox.com

TABLE OF CONTENTS

1.	General Information	9
1.1	Features	9
1.2	Description	9
1.3	Power Input Connector	9
2.	Configuration	10
2.1	Hardware (DIP-switch) Configuration	10
2.2	DIP Switch Settings	11
	DIP Switch Settings: Data Rate	11
	Ethernet Management Port	14
3.	Installation	16
3.1	Connecting the Interface	16
3.2	Connecting the Ethernet Interface	17
3.3	Connecting Power	18
4.	Operation	19
4.1	Power-up	19
4.2	LED Status Monitors	19
	Power (Green)	20
	Line Link (Green)	20
	ETH Link (Green)	20
5.	Software Upgrade	20
A.	Specifications	21
A.1	Line Rate	21
A.2	Ethernet Interface	21
A.3	Status LEDs	21
	Power (Green)	21
	Line Link (Green)	21
	ETH Link (Green)	21
A.4	Configuration	21
	Factory Default Configuration	21
A.5	Power and Power Supply Specifications	22
A.6	Transmission Line	22
A.7	Line Coding	22
A.8	Line Interface	22
A.9	Physical Connection	22
A.10	Environment	23

- A.11 Third Party Software Licenses 23
- B. Interface Pinouts..... 23
 - B.1 Line Port 23
 - B.2 Ethernet Port 23

RADIO FREQUENCY INTERFERENCE STATEMENTS

FEDERAL COMMUNICATIONS COMMISSION AND INDUSTRY CANADA RADIO FREQUENCY INTERFERENCE STATEMENTS

This equipment generates, uses, and can radiate radio-frequency energy, and if not installed and used properly, that is, in strict accordance with the manufacturer's instructions, may cause interference to radio communication. It has been tested and found to comply with the limits for a Class A computing device in accordance with the specifications in Subpart B of Part 15 of FCC rules, which are designed to provide reasonable protection against such interference when the equipment is operated in a commercial environment. Operation of this equipment in a residential area is likely to cause interference, in which case the user at his own expense will be required to take whatever measures may be necessary to correct the interference.

Changes or modifications not expressly approved by the party responsible for compliance could void the user's authority to operate the equipment.

This digital apparatus does not exceed the Class A limits for radio noise emission from digital apparatus set out in the Radio Interference Regulation of Industry Canada.

Le présent appareil numérique n'émet pas de bruits radioélectriques dépassant les limites applicables aux appareils numériques de la classe A prescrites dans le Règlement sur le brouillage radioélectrique publié par Industrie Canada.

INSTRUCCIONES DE SEGURIDAD

(Normas Oficiales Mexicanas Electrical Safety Statement)

3. Todas las instrucciones de seguridad y operación deberán ser leídas antes de que el aparato eléctrico sea operado.
4. Las instrucciones de seguridad y operación deberán ser guardadas para referencia futura.
5. Todas las advertencias en el aparato eléctrico y en sus instrucciones de operación deben ser respetadas.
6. Todas las instrucciones de operación y uso deben ser seguidas.
7. El aparato eléctrico no deberá ser usado cerca del agua—por ejemplo, cerca de la tina de baño, lavabo, sótano mojado o cerca de una alberca, etc..
8. El aparato eléctrico debe ser usado únicamente con carritos o pedestales que sean recomendados por el fabricante.
9. El aparato eléctrico debe ser montado a la pared o al techo sólo como sea recomendado por el fabricante.
10. Servicio—El usuario no debe intentar dar servicio al equipo eléctrico más allá a lo descrito en las instrucciones de operación. Todo otro servicio deberá ser referido a personal de servicio calificado.
11. El aparato eléctrico debe ser situado de tal manera que su posición no interfiera su uso. La colocación del aparato eléctrico sobre una cama, sofá, alfombra o superficie similar puede bloquea la ventilación, no se debe colocar en libreros o gabinetes que impidan el flujo de aire por los orificios de ventilación.
12. El equipo eléctrico deber ser situado fuera del alcance de fuentes de calor como radiadores, registros de calor, estufas u otros aparatos (incluyendo amplificadores) que producen calor.
13. El aparato eléctrico deberá ser connectado a una fuente de poder sólo del tipo descrito en el instructivo de operación, o como se indique en el aparato.
14. Precaución debe ser tomada de tal manera que la tierra fisica y la polarización del equipo no sea eliminada.
15. Los cables de la fuente de poder deben ser guiados de tal manera que no sean pisados ni pellizcados por objetos colocados sobre o contra ellos, poniendo particular atención a los contactos y receptáculos donde salen del aparato.

16. El equipo eléctrico debe ser limpiado únicamente de acuerdo a las recomendaciones del fabricante.
17. En caso de existir, una antena externa deberá ser localizada lejos de las líneas de energía.
18. El cable de corriente deberá ser desconectado del cuando el equipo no sea usado por un largo periodo de tiempo.
19. Cuidado debe ser tomado de tal manera que objetos líquidos no sean derramados sobre la cubierta u orificios de ventilación.
20. Servicio por personal calificado deberá ser provisto cuando:
 - A. El cable de poder o el contacto ha sido dañado; u
 - A. Objetos han caído o líquido ha sido derramado dentro del aparato; o
 - A. El aparato ha sido expuesto a la lluvia; o
 - A. El aparato parece no operar normalmente o muestra un cambio en su desempeño; o
 - A. El aparato ha sido tirado o su cubierta ha sido dañada.

SAFETY WHEN WORKING WITH ELECTRICITY



WARNING

- This device contains no user serviceable parts. This device can only be repaired by qualified service personnel.
- Do not open the device when the power cord is connected. For systems without a power switch and without an external power adapter, line voltages are present within the device when the power cord is connected.
- For devices with an external power adapter, the power adapter shall be a listed Limited Power Source. The mains outlet that is utilized to power the device shall be within 10 feet (3 meters) of the device, shall be easily accessible, and protected by a circuit breaker in compliance with local regulatory requirements.
- For AC powered devices, ensure that the power cable used meets all applicable standards for the country in which it is to be installed.
- For AC powered devices which have 3 conductor power plugs (L1, L2 & GND or Hot, Neutral & Safety/Protective Ground), the wall outlet (or socket) must have an earth ground.
- For DC powered devices, ensure that the interconnecting cables are rated for proper voltage, current, anticipated temperature, flammability, and mechanical serviceability.
- WAN, LAN & PSTN ports (connections) may have hazardous voltages present regardless of whether the device is powered ON or OFF. PSTN relates to interfaces such as telephone lines, FXS, FXO, DSL, xDSL, T1, E1, ISDN, Voice, etc. These are known as “hazardous network voltages” and to avoid electric shock use caution when working near these ports. When disconnecting cables for these ports, detach the far end connection first.
- Do not work on the device or connect or disconnect cables during periods of lightning activity.



In accordance with the requirements of council directive 2002/96/EC on Waste of Electrical and Electronic Equipment (WEEE), ensure that at end-of-life you separate this product from other waste and scrap and deliver to the WEEE collection system in your country for recycling.



This device contains no user serviceable parts. This device can only be repaired by qualified service personnel.



This device is **NOT** intended nor approved for connection to the PSTN. It is intended only for connection to customer premise equipment.



Electrostatic Discharge (ESD) can damage equipment and impair electrical circuitry. It occurs when electronic printed circuit cards are improperly handled and can result in complete or intermittent failures. Do the following to prevent ESD:

- Always follow ESD prevention procedures when removing and replacing cards.
- Wear an ESD-preventive wrist strap, ensuring that it makes good skin contact. Connect the clip to an unpainted surface of the chassis frame to safely channel unwanted ESD voltages to ground.
- To properly guard against ESD damage and shocks, the wrist strap and cord must operate effectively. If no wrist strap is available, ground yourself by touching the metal part of the chassis.

1. GENERAL INFORMATION

Thank you for your purchase of this Black Box product. This product has been thoroughly inspected and tested and is warranted for one year for parts and labor. If any questions or problems arise during installation or use of this product, contact Black Box Technical Support at **724-746-5500** or **info@Black Box.com**.

1.1 FEATURES

- High speed extension with speeds up to 5.696 Mbps
- Two 2-wire line connections via built-in RJ-45 ports (C1 and C2)
- 10- or 100Base-T and full or half-duplex Ethernet port for direct connection of four Ethernet devices
- Extends Ethernet up to 3.4 miles (5.48 km) using 24 AWG/0.5mm wire (192 kbps speed) per hop
- DIN Rail mount
- -40 to 85°C operating temperature

1.2 DESCRIPTION

The Black Box LB532A-L and LB532A-R Industrial Ethernet Extenders are easy to use and take advantage of existing copper twisted-pair infrastructure to connect Ethernet networks or devices at high speeds over long distances. The LB532A-L and LB532A-R deliver speeds up to 5.696 Mbps with distances ranging from 3.5 to 5.48 km (2.2 to 3.4 miles) on standard 0.5 mm (24 AWG) voice-grade twisted pair. Whether setting up a private network backbone to a corporate LANs or remote office or connecting network enabled devices such as PCs, digital sensors or IP cameras—Black Box Ethernet Extenders offer the best combination of speed and distance in the industry. The LB532A-L and LB532A-R temperature specs allow for operation at -40 to 85°C.

1.3 POWER INPUT CONNECTOR

The LB532A-L and LB532A-R come with an external AC universal power supply. (For additional specifications and details on power and power supply, see Appendix A.5 on page 22.)

- The power connection to the LB532A-L and LB532A-R is a terminal block
- Rated voltage: 5 VDC

- Rated current: 1 A DC

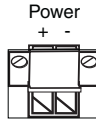


Figure 1. Terminal block power connection

- Output from power supply: 5 VDC, 2A regulated ($\pm 5\%$)
- Input to power supply: universal input 100–240 VAC 50/60 Hz 0.3A



The external AC adapter shall be a listed limited power source that incorporates a disconnect device and shall be positioned within easy reach of the operator. Ensure that the AC power cable meets all applicable standards for the country in which it is to be installed, and that it is connected to a wall outlet that has earth ground.

2. CONFIGURATION

You can configure the LB532A-L and LB532A-R only through the hardware configuration via DIP switches.

2.1 HARDWARE (DIP-SWITCH) CONFIGURATION

The only configurable parameter is the data rate, set by DIP switches **S4-2** through **S4-8** (see Table 2 on page 11). All other DIP switches should remain in the *OFF* position. When configuring the data rate, set the DIP switches to the desired rate before applying power to the LB532A-L or the LB532A-R.

NOTE: Factory Default Configuration: 5.696 Mbps (DIP are all OFF)

Table 1: LB532A-M configurable parameters

Parameter	Description	Possible Values
Data Rate/ Timeslots	Defines the number of timeslots. The data rate is calculated by the equation: $\text{data rate} = \text{timeslots} \times 64\text{k}.$	1-72 timeslots

NOTE: The default configuration for the LB532A-L and LB532A-R is 89 timeslots (5695 kbps).

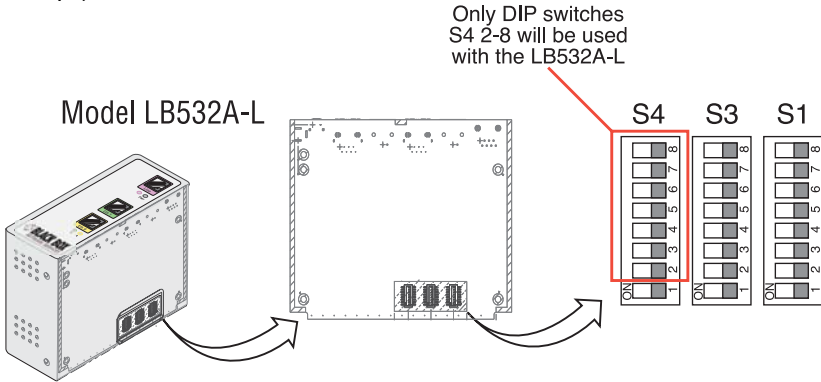


Figure 2. Underside of LB532A-L and LB532A-R showing location of DIP switches

DIP switches **S1** and **S3** must all be in the *OFF* position. DIP switch **S4**, positions 2 to 8 are used to configure the data rate. This figure shows the DIP switch orientation with respect to *ON* and *OFF* positions is consistent for all switches.



2.2 DIP SWITCH SETTINGS

Once the device is powered up and operating in DIP switch configuration mode, you cannot change configuration until you power it down again.

DIP Switch Settings: Data Rate

Switches **S4-2** through **S4-8** define the line rate.

Table 2: S4-2 through S4-8 Data Rate DIP switch settings

S4-2	S4-3	S4-4	S4-5	S4-6	S4-7	S4-8	Data Rate (kbps)
OFF	OFF	OFF	OFF	OFF	OFF	ON	192
OFF	OFF	OFF	OFF	OFF	ON	OFF	256
OFF	OFF	OFF	OFF	OFF	ON	ON	320
OFF	OFF	OFF	OFF	ON	OFF	OFF	384
OFF	OFF	OFF	OFF	ON	OFF	ON	448
OFF	OFF	OFF	OFF	ON	ON	OFF	512
OFF	OFF	OFF	OFF	ON	ON	ON	576

Black Box Ethernet Extenders

Table 2: S4-2 through S4-8 Data Rate DIP switch settings

S4-2	S4-3	S4-4	S4-5	S4-6	S4-7	S4-8	Data Rate (kbps)
OFF	OFF	OFF	ON	OFF	OFF	OFF	640
OFF	OFF	OFF	ON	OFF	OFF	ON	704
OFF	OFF	OFF	ON	OFF	ON	OFF	768
OFF	OFF	OFF	ON	OFF	ON	ON	832
OFF	OFF	OFF	ON	ON	OFF	OFF	896
OFF	OFF	OFF	ON	ON	OFF	ON	960
OFF	OFF	OFF	ON	ON	ON	OFF	1024
OFF	OFF	OFF	ON	ON	ON	ON	1088
OFF	OFF	ON	OFF	OFF	OFF	OFF	1152
OFF	OFF	ON	OFF	OFF	OFF	ON	1216
OFF	OFF	ON	OFF	OFF	ON	OFF	1280
OFF	OFF	ON	OFF	OFF	ON	ON	1344
OFF	OFF	ON	OFF	ON	OFF	OFF	1408
OFF	OFF	ON	OFF	ON	OFF	ON	1472
OFF	OFF	ON	OFF	ON	ON	OFF	1536
OFF	OFF	ON	OFF	ON	ON	ON	1600
OFF	OFF	ON	ON	OFF	OFF	OFF	1664
OFF	OFF	ON	ON	OFF	OFF	ON	1728
OFF	OFF	ON	ON	OFF	ON	OFF	1792
OFF	OFF	ON	ON	OFF	ON	ON	1856
OFF	OFF	ON	ON	ON	OFF	OFF	1920
OFF	OFF	ON	ON	ON	OFF	ON	1984
OFF	OFF	ON	ON	ON	ON	OFF	2048
OFF	OFF	ON	ON	ON	ON	ON	2112
OFF	ON	OFF	OFF	OFF	OFF	OFF	2176
OFF	ON	OFF	OFF	OFF	OFF	ON	2240
OFF	ON	OFF	OFF	OFF	ON	OFF	2304
OFF	ON	OFF	OFF	OFF	ON	ON	2368
OFF	ON	OFF	OFF	ON	OFF	OFF	2432
OFF	ON	OFF	OFF	ON	OFF	ON	2496
OFF	ON	OFF	OFF	ON	ON	OFF	2560
OFF	ON	OFF	OFF	ON	ON	ON	2624
OFF	ON	OFF	ON	OFF	OFF	OFF	2688
OFF	ON	OFF	ON	OFF	OFF	ON	2752
OFF	ON	OFF	ON	OFF	ON	OFF	2816

Table 2: S4-2 through S4-8 Data Rate DIP switch settings

S4-2	S4-3	S4-4	S4-5	S4-6	S4-7	S4-8	Data Rate (kbps)
OFF	ON	OFF	ON	OFF	ON	ON	2880
OFF	ON	OFF	ON	ON	OFF	OFF	2944
OFF	ON	OFF	ON	ON	OFF	ON	3008
OFF	ON	OFF	ON	ON	ON	OFF	3072
OFF	ON	OFF	ON	ON	ON	ON	3136
OFF	ON	ON	OFF	OFF	OFF	OFF	3200
OFF	ON	ON	OFF	OFF	OFF	ON	3264
OFF	ON	ON	OFF	OFF	ON	OFF	3328
OFF	ON	ON	OFF	OFF	ON	ON	3392
OFF	ON	ON	OFF	ON	OFF	OFF	3456
OFF	ON	ON	OFF	ON	OFF	ON	3520
OFF	ON	ON	OFF	ON	ON	OFF	3584
OFF	ON	ON	OFF	ON	ON	ON	3648
OFF	ON	ON	ON	OFF	OFF	OFF	3712
OFF	ON	ON	ON	OFF	OFF	ON	3776
OFF	ON	ON	ON	OFF	ON	OFF	3840
OFF	ON	ON	ON	OFF	ON	ON	3904
OFF	ON	ON	ON	ON	OFF	OFF	3968
OFF	ON	ON	ON	ON	OFF	ON	4032
OFF	ON	ON	ON	ON	ON	OFF	4096
OFF	ON	ON	ON	ON	ON	ON	4160
ON	OFF	OFF	OFF	OFF	OFF	OFF	4224
ON	OFF	OFF	OFF	OFF	OFF	ON	4288
ON	OFF	OFF	OFF	OFF	ON	OFF	4352
ON	OFF	OFF	OFF	OFF	ON	ON	4416
ON	OFF	OFF	OFF	ON	OFF	OFF	4480
ON	OFF	OFF	OFF	ON	OFF	ON	4544
ON	OFF	OFF	OFF	ON	ON	OFF	4608
ON	OFF	OFF	OFF	ON	ON	ON	4672
ON	OFF	OFF	ON	OFF	OFF	OFF	4736
ON	OFF	OFF	ON	OFF	OFF	ON	4800
ON	OFF	OFF	ON	OFF	ON	OFF	4864
ON	OFF	OFF	ON	OFF	ON	ON	4928
ON	OFF	OFF	ON	ON	OFF	OFF	4992

Table 2: S4-2 through S4-8 Data Rate DIP switch settings

S4-2	S4-3	S4-4	S4-5	S4-6	S4-7	S4-8	Data Rate (kbps)
ON	OFF	OFF	ON	ON	OFF	ON	5056
ON	OFF	OFF	ON	ON	ON	OFF	5120
ON	OFF	OFF	ON	ON	ON	ON	5184
ON	OFF	ON	OFF	OFF	OFF	OFF	5248
ON	OFF	ON	OFF	OFF	OFF	ON	5312
ON	OFF	ON	OFF	OFF	ON	OFF	5376
ON	OFF	ON	OFF	OFF	ON	ON	5440
ON	OFF	ON	OFF	ON	OFF	OFF	5504
ON	OFF	ON	OFF	ON	OFF	ON	5568
ON	OFF	ON	OFF	ON	ON	OFF	5632
ON	OFF	ON	OFF	ON	ON	ON	5696

Ethernet Management Port

The LB532A-L and LB532A-R each offer a 10/100 Ethernet port to view the current DIP switch settings via Telnet sessions. The Ethernet interface default IP address for the LB532A-L and the LB532A-M is 192.168.200.1 and the default IP address for the LB532A-R is 192.168.200.2. Log into the LB532A-M management port using the password *superuser*.

Through the Ethernet management port, the following variables can be configured or monitored:

- **status:** Shows the general configuration and status of the unit
- **info:** Shows system information
- **upgrade:** Enables the system upgrade prompt

Line Status Command. The status command shows the following line status information: sync state, link state, link speed, error counters, line condition, noise margin, and test mode status.

The following status information is available through the Command Line Interface:

- **sync state:** *Out of Sync, Acquiring Sync, In Sync, or Losing Sync*
- **link state:** *In Progress, Success, Deactivated, or Idle*

NOTE: Link State vs. Sync State—The **Link State** describes whether the line is training (in progress), linked (success), deactivated (we don't have an option to deactivate the modem, so the user should not see this), or idle.

NOTE: The **Sync State** describes whether no sync words have been found (out of sync), there are no sync word errors (in sync), or whether we are transitioning from out of sync to in sync (acquiring sync) or vice versa (losing sync). Typically, when the link is training, the sync state goes from out of sync to acquiring sync to in sync.

- **actual rate:** The actual rate at which the link is running (minus overhead).
- **noise margin:** The maximum tolerable increase in external noise power that still allows for BER of less than 1×10^{-7} .
- **error counters:** The following error counters are available: CRC and LOSW (Loss of Sync Word)

Help Commands. The following commands are provided to help the user find the correct command:

- **help:** Lists all the commands that the console recognizes

Example Command Line Interface Session.

```
LB532A Command Shell
Password:
LB532A> status
configuration:
link mode:      remote
link rate:      5696
line probe:     disabled
status:
actual rate:    0
loss of signal: unavailable
noise margin:   0
snr:            0
sync state:     out of sync
link state:     idle
power scale:    0dB
error counters:
crc:            0
losw:           0

LB532A> exit
```

NOTE: The line probe feature is a future product enhancement.

3. INSTALLATION

Once the LB532A-L or LB532A-R is properly configured, it is ready to connect to the line interface and to the power source. This section explains how to make these connections.

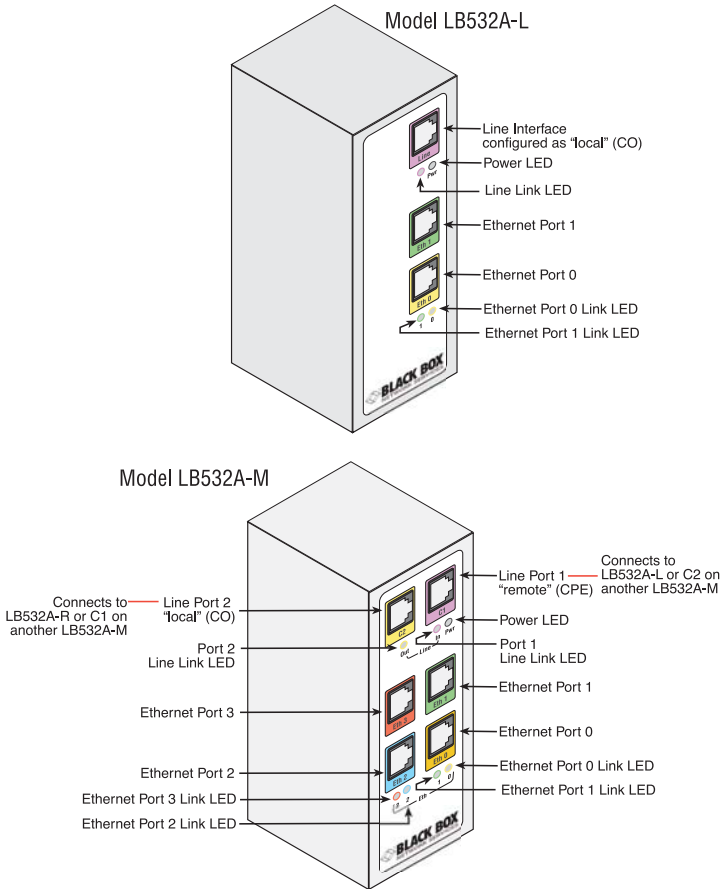


Figure 3. LB532A-L and LB532A-M front panel connectors

3.1 CONNECTING THE INTERFACE

The LB532A-L and LB532A-R support communication between two DTE devices using 24 AWG (0.5 mm) wire up to:

- 18,000 feet (3.4 miles or 5.48 km) at 192 kbps per hop

-
- 11,000 feet (2.2 miles or 3.5 km) at 5696 kbps per hop

Two things are essential:

1. The LB532A-L model works with the LB532A-R model. Every local line port must connect to a remote line port.

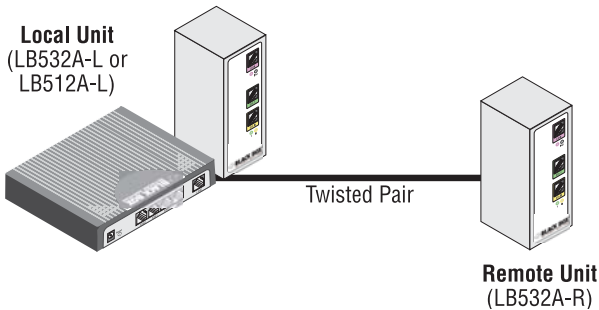


Figure 4. Local to remote connection

2. To function properly, the LB532A needs one twisted pair of metallic wire. This twisted pair must be unconditioned, dry, metallic wire, between 19 (0.9mm) and 26 AWG (0.4mm) (the higher number gauges will limit distance). Standard dial-up telephone circuits, or leased circuits that run through signal equalization equipment, or standard, flat modular telephone type cable, are not acceptable.

The RJ-45 line connector on the LB532A's twisted pair interface is polarity insensitive and is wired for a two-wire interface.

3.2 CONNECTING THE ETHERNET INTERFACE

This section describes how to connect the Ethernet ports to your network equipment.



The interconnecting cables shall be acceptable for external use and shall be rated for the proper application with respect to voltage, current, anticipated temperature, flammability, and mechanical serviceability.

The RJ-45 ports labeled Ethernet are the Auto-MDIX 10/100Base-T interface. These ports are designed to connect directly to a 10/100Base-T device or network. You may connect these ports to a hub or PC using a straight through or crossover cable that is up to 328 ft long.

3.3 CONNECTING POWER

The LB532A-L and LB532A-R are equipped with the terminal block power connection already on the unit (see Figure 5). For additional information only, see Figure 6 for details on how to install the power supply.

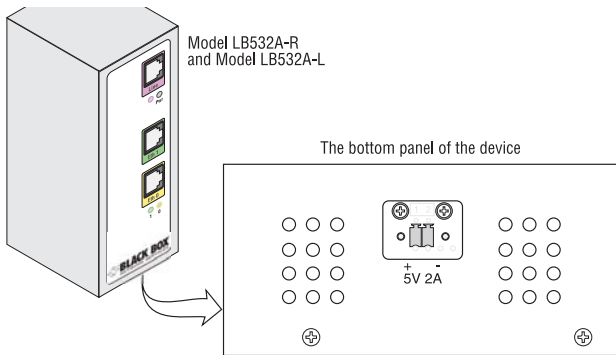


Figure 5. LB532A bottom panel power connector

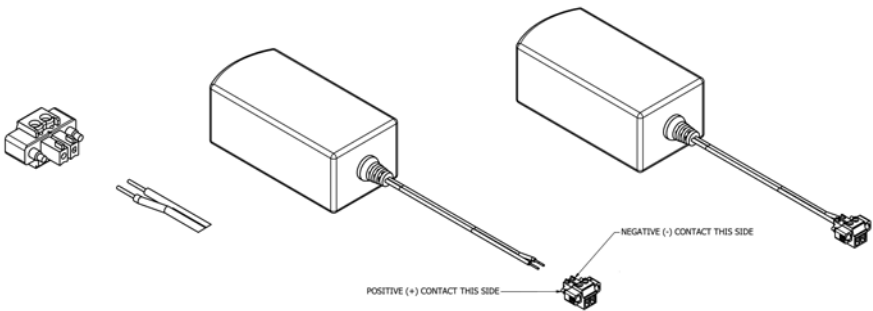


Figure 6. Power supply installation

To connect the external AC universal power supply, determine the positive lead and negative lead on the power adapter. Insert the positive lead into the opening on the terminal block labeled + and the negative lead into the opening on the terminal block labeled -. Tighten the screws on the block to secure the wires. The LB532A-L and LB532A-R power up as soon as it is connected to an AC power source—there is no power switch.



The external AC adaptor shall be a listed limited power source that incorporates a disconnect device and shall be positioned within easy reach of the operator. Ensure that the AC power cable meets all applicable standards for the country in which it is to be installed, and that it is connected to a wall outlet that has earth ground.

4. OPERATION

Once the LB532A-L or LB532A-R is properly configured and installed, it should operate transparently. The following sections describe power-up, reading the LED status monitors, and using the built-in loopback test modes.

4.1 POWER-UP

To apply power to the LB532A-L or LB532A-R, first be sure that you have read section 1.3, “Power Input Connector” on page 9, and that the unit is connected to the appropriate power source. Power up the unit.

4.2 LED STATUS MONITORS

There are four LEDs that provide feedback on the state of the unit. Figure 7 on page 19 shows the location of the front panel LEDs.

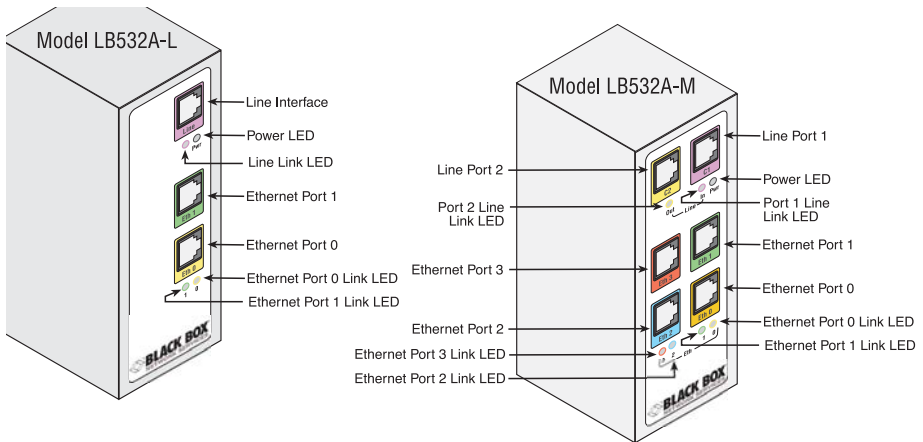


Figure 7. LB532A-L or LB532A-R and LB532A-M front panel LEDs

Power (Green)

The Power LED glows solid during normal operation. At startup, during the POST, the LED blinks once every second. If the POST fails, the unit does not enter normal operation, and the LED blinks once every 0.4 seconds.

Line Link (Green)

The Line LED glows solid while a link is established. While the link is training, it blinks once every second.

ETH Link (Green)

The Ethernet Link LEDs show that there is an active physical connection to the console, or an active physical connection to an Ethernet device.

5. SOFTWARE UPGRADE

The software upgrade feature is available through TFTP. The software upgrade takes approximately 1 to 2 minutes to complete. To upgrade the software:

1. Telnet to LB532A-L via the Eth 0 or Eth 1 port through the default IP address 192.168.200.1/24 or Telnet to LB532A-R via the Eth 0 or Eth 1 port through the default Ip address 192.168.200.2/24.
2. Enter the upgrade **<TFTP server IP address>:./<filename>** command to begin the upgrade.

After approximately 1 to 2 minutes, the LB532A-L or LB532A-R will operate with the upgraded software.

A. SPECIFICATIONS

A.1 LINE RATE

192 to 5696 kbps (64k increments; 3-89 timeslots)

A.2 ETHERNET INTERFACE

Two RJ-45, 10/100Base-T, IEEE 802.3 Ethernet

A.3 STATUS LEDES

Power (Green)

The Power LED glows solid during normal operation. At startup, during the POST, the LED blinks once every second. If the POST fails, the unit does not enter normal operation, and the LED blinks once every 0.4 seconds.

Line Link (Green)

The Line LED glows solid while a link is established. While the link is training, it blinks once every second.

ETH Link (Green)

The Ethernet Link LEDs show that there is an active physical network connection to the Console or an Ethernet device.

A.4 CONFIGURATION

Configuration is done only with externally accessible DIP switches.

Factory Default Configuration

- All DIP switches are OFF
- 5.696 Mbps (89 timeslots)
- Look at the label to determine if the unit is “remote” or “local,” or via Telnet session
- LB532A-M from “remote” and “local” ports

A.5 POWER AND POWER SUPPLY SPECIFICATIONS

The LB532A-L and LB532A-R comes with an external AC universal power supply.

- The power connection to the LB532A-L and LB532A-R is a terminal block (see Figure 8)
- There is one fuse in the equipment rated at 250V, 500 mA, 2 sec.
- Rated voltage: 5 VDC
- Rated current: 1 A DC

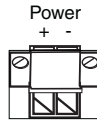


Figure 8. Terminal block power connection



The external AC adapter shall be a listed limited power source that incorporates a disconnect device and shall be positioned within easy reach of the operator. Ensure that the AC power cable meets all applicable standards for the country in which it is to be installed, and that it is connected to a wall outlet that has earth ground.

- Output from power supply: 5 VDC, 2A, regulated
- Input to power supply: universal input 100–240 VAC 50/60 Hz 0.3A

A.6 TRANSMISSION LINE

Single Twisted Pair

A.7 LINE CODING

TC-PAM (Trellis Coded Pulse Amplitude Modulation)

A.8 LINE INTERFACE

Transformer coupled, 2500 Vrms isolation

A.9 PHYSICAL CONNECTION

RJ-45, 2-wire polarity insensitive pins 4 and 5

A.10 ENVIRONMENT

Operating temp: -40 to 185°F (-40 to 85°C)

Relative Humidity: 8 to 90% non-condensing

Altitude: 0 to 15,000 feet (0 to 4,600 meters)

A.11 THIRD PARTY SOFTWARE LICENSES

NOTE: The LB532A-L and LB532A-R includes software developed under third party licenses.

B. INTERFACE PINOUTS

B.1 LINE PORT

Table 3: RJ-45 connector

Pin	Signal
1	N/C
2	N/C
3	N/C
4	Tip
5	Ring
6	N/C
7	N/C
8	N/C

*NOTE: N/C is “no connection.” Although denoted as Tip and Ring, the line ports are **not** polarity sensitive.*

B.2 ETHERNET PORT

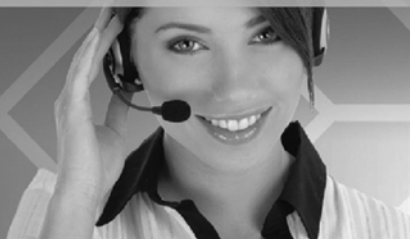
Table 4: RJ-45 socket 10/100Base-T

Pin	Signal
1	TX+
2	TX-
3	RX+
6	RX-

NOTE: Pins not listed are not used.

Black Box Tech Support: FREE! Live. 24/7.

Tech support the
way it should be.



Great tech support is just 30 seconds away at
724-746-5500 or blackbox.com.



About Black Box

Black Box provides an extensive range of networking and infrastructure products. You'll find everything from cabinets and racks and power and surge protection products to media converters and Ethernet switches all supported by free, live 24/7 Tech support available in 30 seconds or less.

© Copyright 2013 . Black Box Corporation. All rights reserved. Black Box® and the Double Diamond logo are registered trademarks of BB Technologies, Inc. Any third-party trademarks appearing in this manual are acknowledged to be the property of their respective owners.

LB532A-L version 1

724-746-5500 | blackbox.com